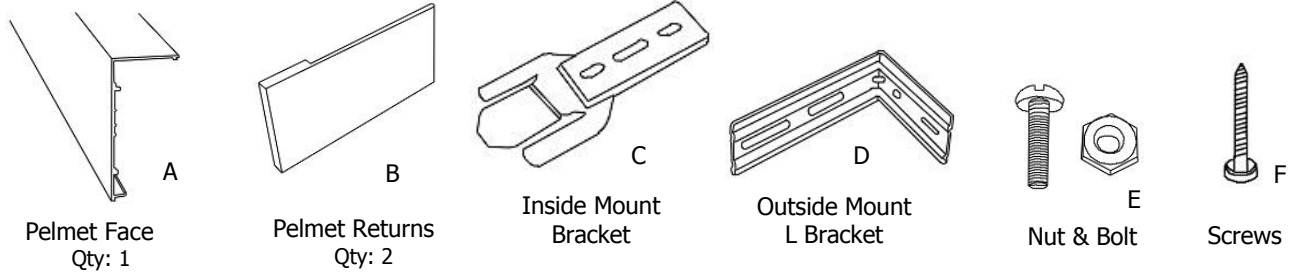


Installation Information: Aluminium Pelmet.

Parts Included



Note: Please be aware that the mounting bracket quantity supplied will depend on the width of the blind. Please ensure that all brackets supplied are installed.

Important Notes

- Please check that all parts have been supplied before you begin to assemble your new Aluminium Pelmet

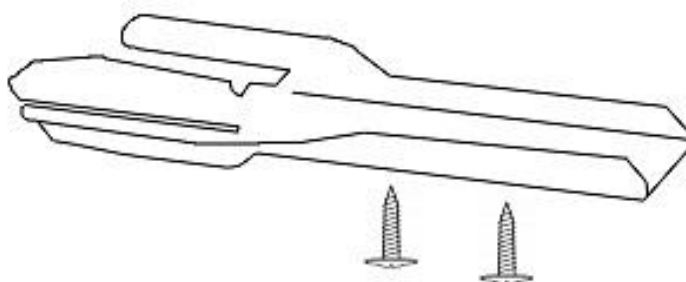
Positioning Pelmet

As per your order, determine the correct fitting location of mounting brackets and mark where you are going to install the brackets.

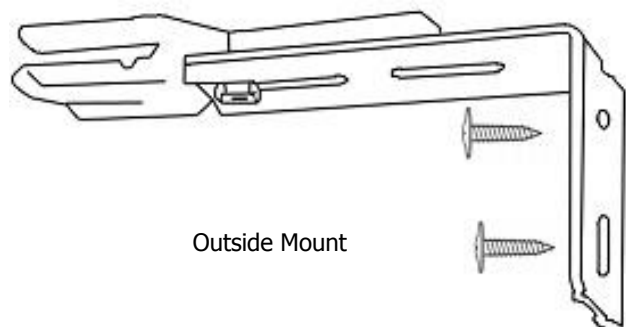
- Inside the window frame (Inside Mount) or;
- On the window frame or wall or on ceiling (Outside Mount)

Installing Mounting Brackets

Place the mounting brackets (parts C, D & E) in the correct location as per your order. Please see diagrams for different mounting options.



Inside/Ceiling Mount



Outside Mount

Installation Information: **Aluminium Pelmet.**

Attaching the Pelmet

- i) Insert the pelmet face (part A) into the mounting bracket (part C) as shown (Figure 1)
- ii) Push the pelmet back into the bracket until it clicks into the mounting bracket groove (Figure 2)
- iii) If returns (part B) are required for an outside mount pelmet, Use a knife to score the return and snap off to the desired length (Figure 3)
- iv) Gently push the left and right returns (part B) onto the pelmet face (part A) (Figure 4)

