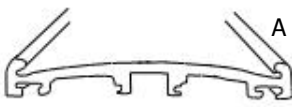
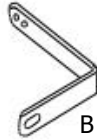


Installation Information: **PVC Pelmet.**

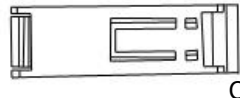
Parts Included



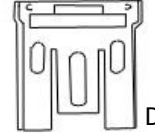
Pelmet Face & Returns
Qty: 1 x pelmet
2 x returns



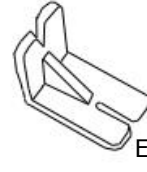
Metal L Bracket



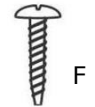
Plastic Bracket



Wall Bracket



Small Plastic L Bracket
Qty: 2



Screws

Note: Please be aware that the mounting bracket quantity supplied will depend on the width of the blind. Please ensure that all brackets supplied are installed.

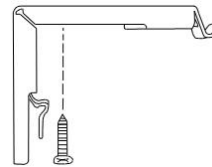
Important Notes

- Please check that all parts have been supplied before you begin to assemble your new Pelmet

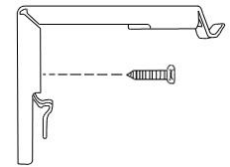
Positioning Pelmet

As per your order, determine the correct fitting location of mounting brackets and mark where you are going to install the brackets.

- Inside the window frame (Inside Mount) or;
- On the window frame or wall (Outside Mount)



Inside Mount



Outside Mount

Installing Mounting Brackets

The mounting brackets should be attached to the wall in the correct position as per your order form.

Attaching Pelmet To Brackets

Inside Mount

- Slide the metal L bracket (part B) into the plastic bracket (part C) in the direction shown (Figure 1)
- Clip this bracket into place on the pelmet (part A) by pushing on the points marked with an arrow (Figure 2)
- Align the L brackets (which are attached to the pelmet) with the wall bracket then insert the metal L bracket and gently push into place (Figure 3)

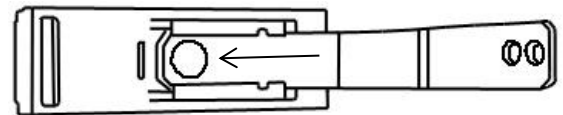
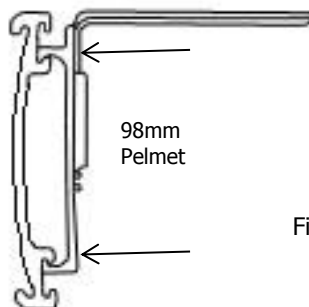
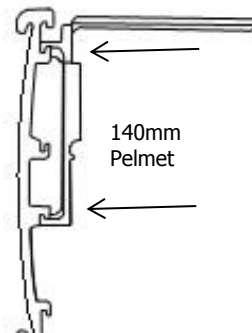


Figure 1

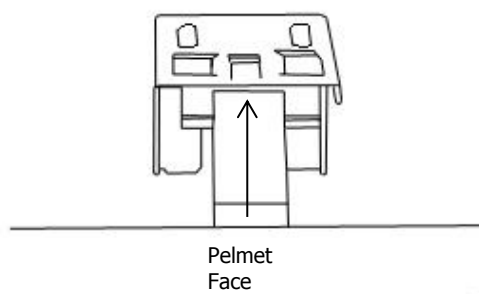


98mm Pelmet



140mm Pelmet

Figure 2



Pelmet Face

Figure 3

Installation Information: **PVC Pelmet.**

Outside Mount

- i) Slide the metal L bracket (part B) into the plastic bracket (part C) in the direction shown (Figure 1)
- ii) Clip this bracket into place on the pelmet (part A) by pushing on the points marked with an arrow (Figure 2)
- iii) Slide small plastic L brackets (part E) into pelmet (Figure 3)
- iv) Slide returns (part A) onto pelmet using small plastic L brackets (Figure 4)
- v) Align the L brackets (which are attached to the pelmet) with the wall bracket then insert the metal L bracket and gently push into place (Figure 5)

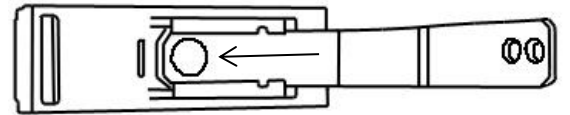


Figure 1

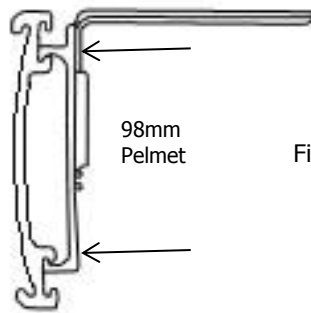


Figure 2

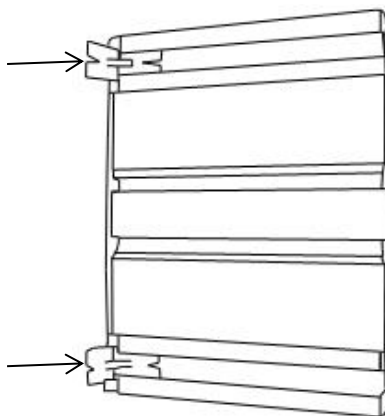
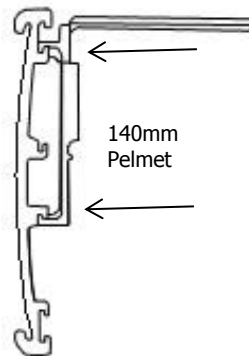


Figure 3

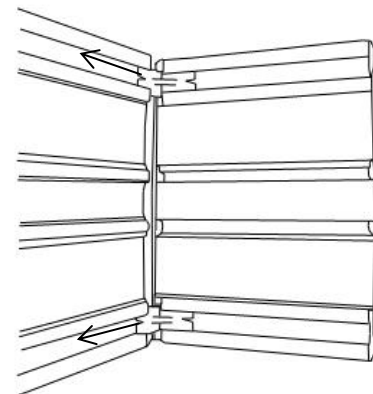


Figure 4

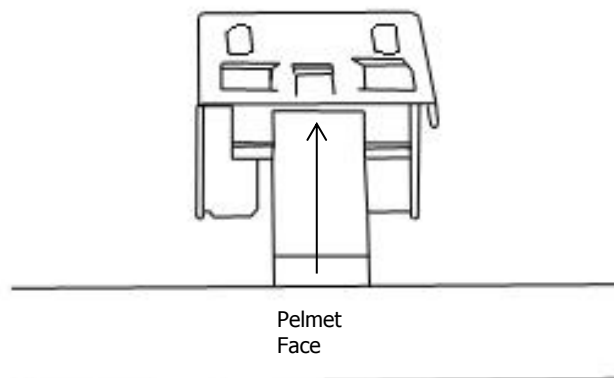


Figure 5